



Ingersoll

**Front Cut Attachments
Parts Catalog 8-59960
SB52 Snowblower**

[HOME](#)

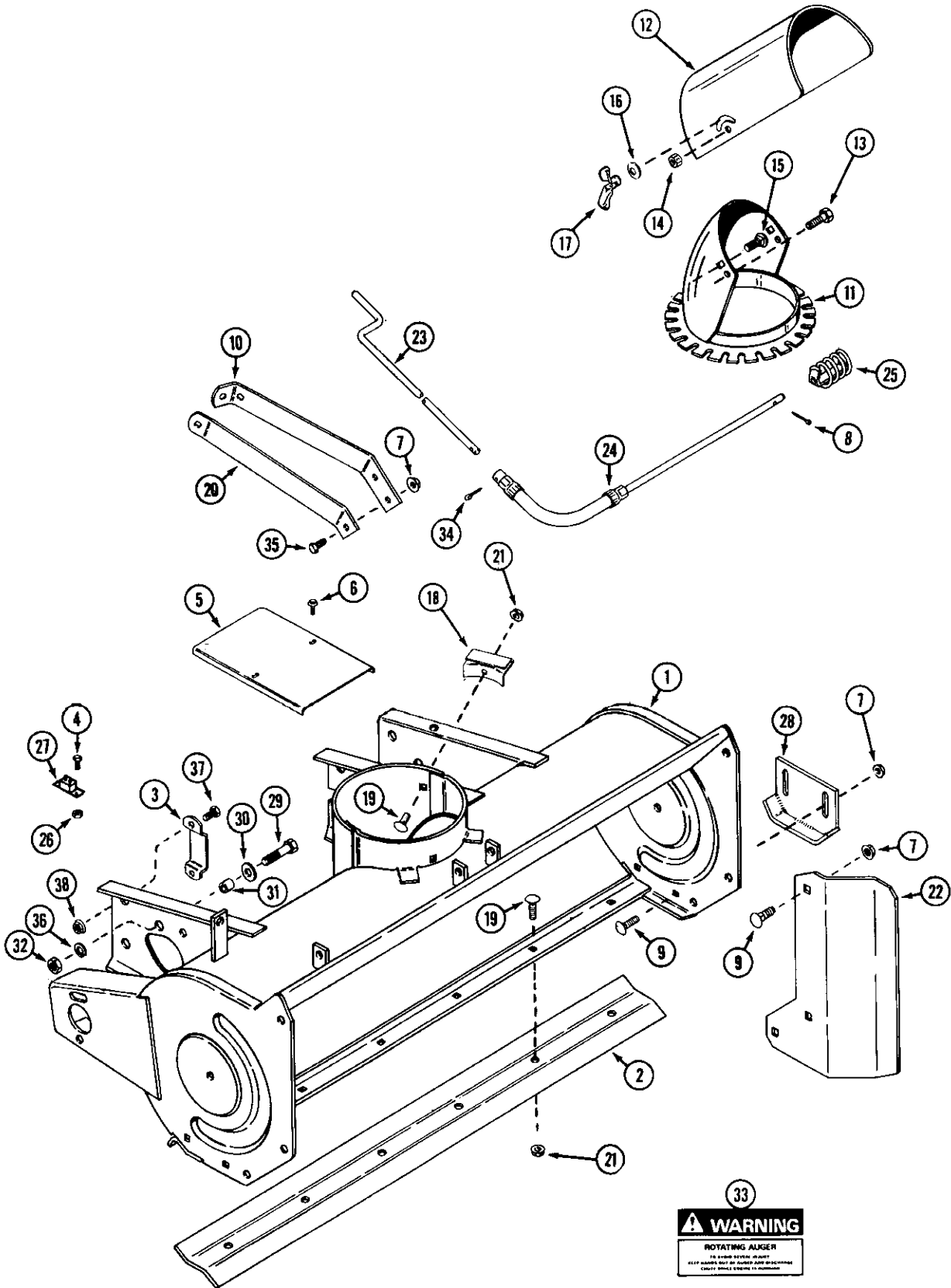
[ATTACHMENTS](#)

ALPHABETICAL INDEX

SB52 Auger Housing, Chute Control and Lift Assy	13
SB52 Auger and Drive Assy	15

SB52 SNOW BLOWER

AUGER HOUSING, CHUTE CONTROL AND LIFT ASSEMBLY



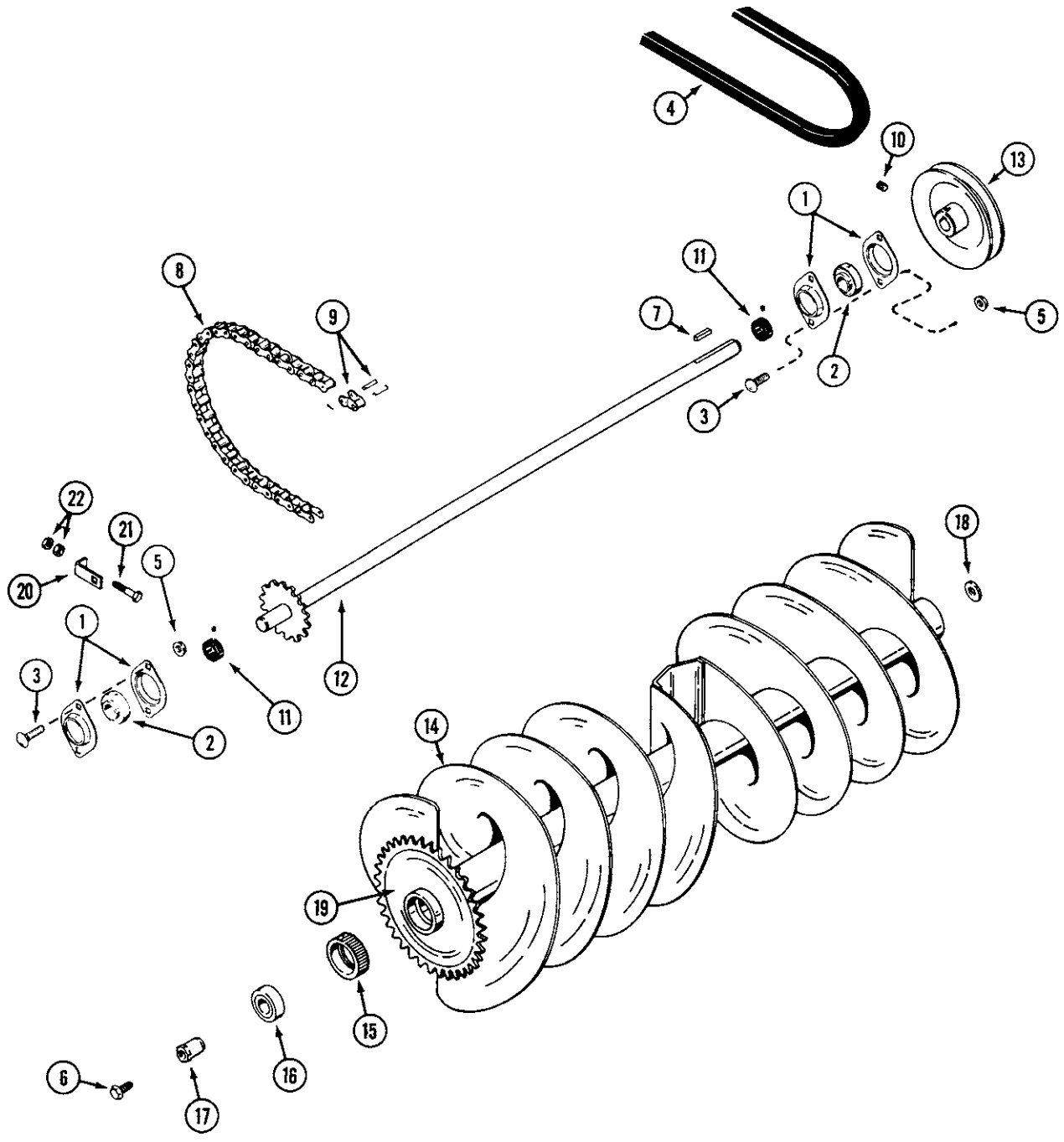
SB52 SNOW BLOWER

AUGER HOUSING, CHUTE CONTROL AND LIFT ASSEMBLY

REF.	PART NO.	DESCRIPTION	REQ'D
1	C46401	HOUSING - auger	1
2	C17776	BLADE - snow blower	1
3	C46427	RETAINER - lift arm	2
4	182-528	SCREW - #10 - 32 x 1/2"	1
5	C46398	GUARD - belt	1
6	121-21	BOLT - 1/4" - 20 x 1/2" flange	2
7	131-938	NUT - 3/8" NC hex ZP	13
8	132-300	PIN - cotter 1/8" x 7/8"	1
9	111-340	BOLT - 3/8" - 16 x 3/4" carriage	10
10	C46419	BRACKET - crank mounting	1
11	C46425	CHUTE	1
12	C16940	DEFLECTOR	1
13	113-1	BOLT - 1/4" x 1/2" NC hex ZP	2
14	131-1102	NUT - lock 1/4" NC hex ZP	2
15	111-340	BOLT - 3/8" x 3/4" NC carriage	2
16	C28263	WASHER - dished 25/64" x 1" OD	2
17	C22774	WINGNUT - deflector locking	2
18	C15334	BRACKET - chute hold down	3
19	111-132	BOLT - 5/16" x 3/4" NC carriage	UAR
20	C46420	BRACE - bracket	1
21	131-911	NUT - 5/16" NC hex ZP flange	UAR
22	C46421	WING - L.H. (shown)	1
22	C46422	WING - R.H.	1
23	C46418	CRANK - chute	1
24	C46428	ROD - chute, control	1
25	C24640	COIL - chute control	1
26	193-1000	NUT - #10 - 32 w/washer	2
27	C37505	BREAKER - circuit, 10 amp	1
28	C17775	SKID - shoe	2
29	113-410	BOLT - 1/2" x 1-1/2" NC hex	2
30	195-105	WASHER - 1/2"	2
31	C37586	BUSHING - lift arm	2
32	129-105	NUT - 1/2" - 13	2
33	321-4199	DECAL - auger "WARNING"	1
34	132-310	PIN - cotter 1/8" x 1"	1
35	113-207	BOLT - 3/8" x 18 x 1"	3
36	192-23	LOCKWASHER - 1/2"	2
37	113-4	BOLT - 1/2" - 13 x 1"	4
38	131-930	NUT - 1/2" - 13 flange lock	4

SB52 SNOW BLOWER

AUGER AND DRIVE ASSEMBLY



INDEX

SB52 SNOW BLOWER

AUGER AND DRIVE ASSEMBLY

REF.	PART NO.	DESCRIPTION	REQ'D
1	C28277	FLANGETTE	4
2	C28817	BEARING	2
3	111-132	BOLT - 5/16 x 3/4" NC ZP carriage.....	UAR
4	C37894	BELT - drive (use on mowers G1100, G1250, G1600, G1800, G1890, G1890K, 5012, 5016, 5018)	1
4	C37895	BELT - drive (use on mower G2000CII), (G2018D, 5118D)	2
4	C44241	BELT - drive (use on mowers 5020V, G1890V, G1897V, G2090V, G2097V, G2297K)	1
5	131-911	NUT - 5/16" NC hex ZP flange lock	4
6	121-226	BOLT - 3/8" x 1" NC hex flange lock (use lock sealant on threads).....	2
7	C29581	KEY-3/16"	1
8	C46399	CHAIN - auger drive 88 pitches #40 roller chain	1
9	C28982	LINK - connecting #40.....	1
10	83-55	SCREW - set 5/16" - 18 x 5/16"	2
11	NSS	COLLAR - locking (included with item 2)	2
12	C46413	SHAFT - drive	1
13	C46416	PULLEY - drive shaft (shown) (for one belt drive) (all models except G2000CII, G2018D, 5118D).....	1
13	C37893	PULLEY - drive shaft (for two belt drive) (use with model G2000CII, G2018D, 5118D).....	1
14	C25853	AUGER.....	1
15	C25840	SLEEVE - bearing.....	2
16	C28971	BEARING - auger.....	2
17	C25841	SHAFT - stub	2
18	195-522	WASHER - spacer 3/8"	UAR
19	C16109	SPROCKET - auger (is welded to auger)	1
20	C46417	BRACKET-chain adjust.....	1
21	114-203	BOLT-3/8"-24x 1-1/2"	1
22	129-163	NUT - 3/8" - 24 lock.....	2